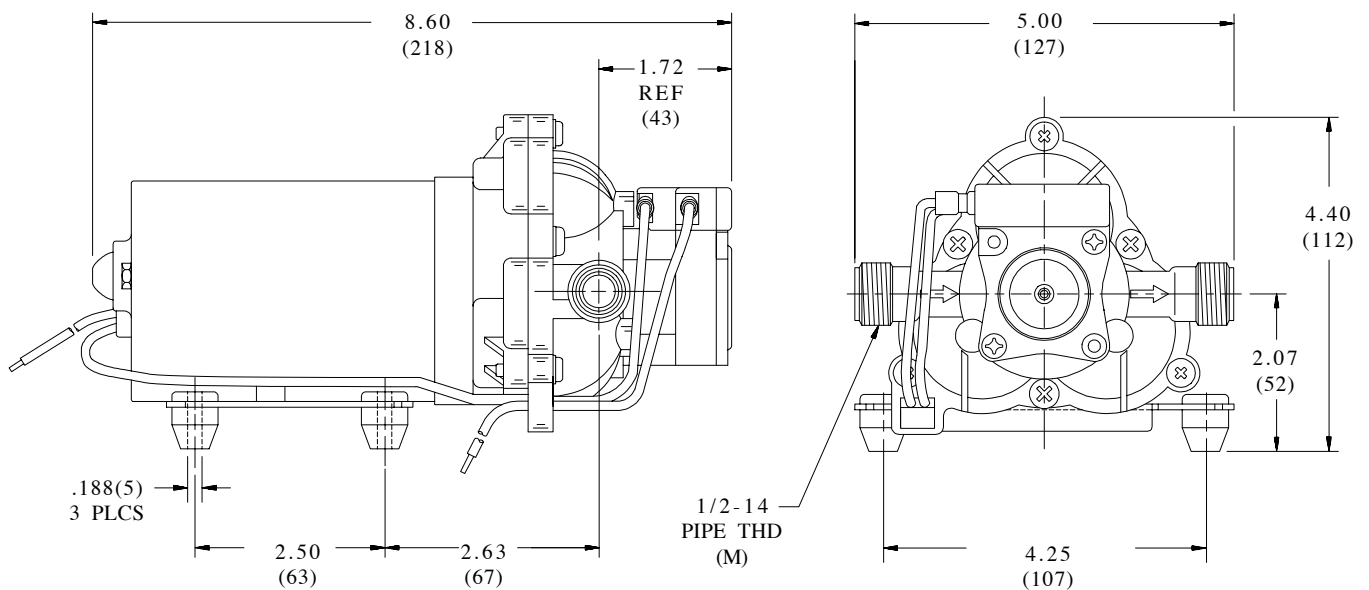


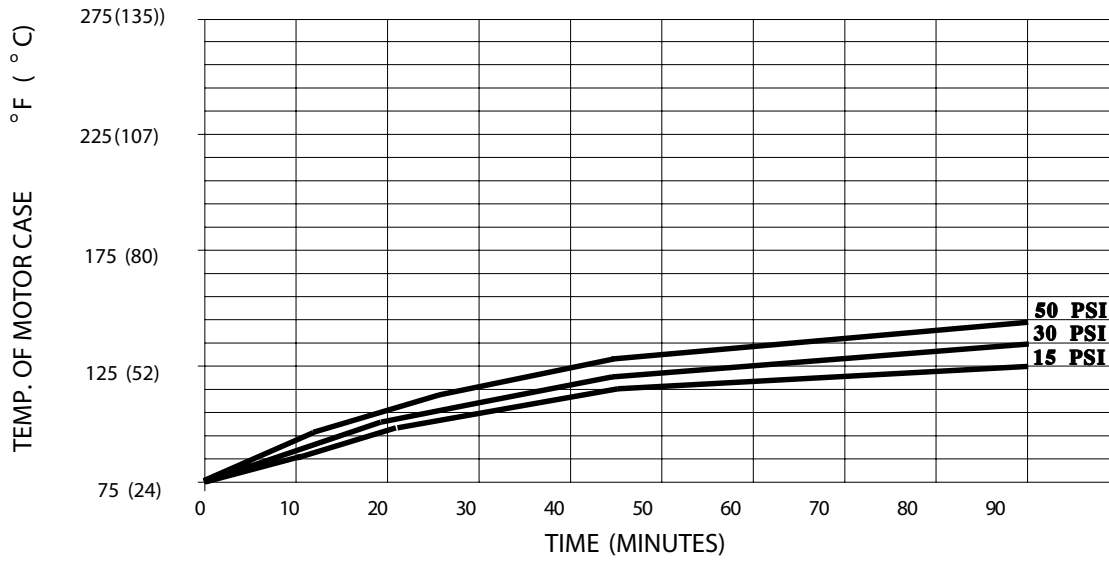
### SPECIFICATIONS:

MODEL NUMBER: 2088-474-144  
PUMP DESIGN: Positive Displacement 3 Chamber Diaphragm Pump  
CHECK VALVE: (1-Way Operation) Prevents Reverse Flow  
CAM: 3.0 Degree  
MOTOR: Permanent Magnet, P/N 11-187-00  
VOLTAGE: 24 VDC Nominal  
PRESSURE SWITCH: Factory Set @ 45 PSI Shut-Off, Turn On  $25 \pm 5$  PSI  
Adjustable From 30 to 50 PSI  
LIQUID TEMPERATURE: 130 Degrees Fahrenheit (54 Degrees Centigrade) Max.  
PRIME: Self-Priming Up To 10 Ft. Vertical,  
Max. Inlet Pressure 30 PSI (2.1 Bar)  
PORTS: 1/2" - 14 Male Parallel Thread  
MATERIAL OF CONSTRUCTION:  
PLASTICS- Polypropylene  
VALVES- Santoprene  
DIAPHRAGM- Santoprene  
FASTENERS- Zinc Plated Steel  
NET WEIGHT: 4.9 Lbs (2.22 Kg)  
DUTY CYCLE: Intermittent (See Temp. Rise Chart)  
TYPICAL APPLICATIONS: Industrial Transfer

### DIMENSIONS:

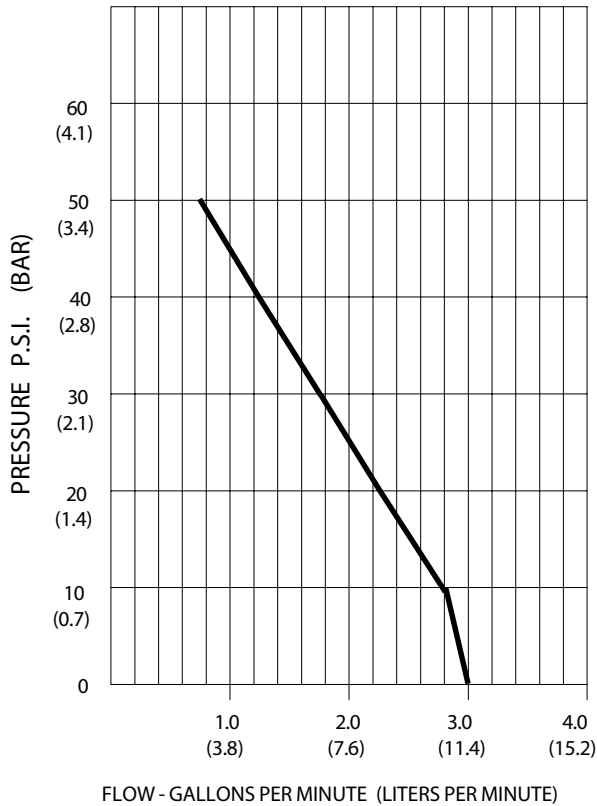


### TEMP ERA TURE RISE



THIS GRAPH IS FOR USE AS A DESIGN GUIDE. IT IS BASED ON RUNNING CONTINUOUSLY WITH AN AMBIENT TEMPERATURE OF 75 ° F IN STILL AIR.

### TYPICAL PERFORMANCE



PRESSURE (PSI)	FLOW (GPM/LIT)	RPM MIN/MAX	CURRENT (AMPS)	VOLTAGE (VOLTS)
OPEN	<b>3.00/11.3</b>	<b>2218/2260</b>	<b>2.34</b>	<b>24VDC</b>
10	<b>2.80/10.6</b>	<b>2210/2250</b>	<b>2.41</b>	" "
20	<b>2.25/8.5</b>	<b>2150/2195</b>	<b>2.63</b>	" "
30	<b>1.75/6.6</b>	<b>2100/2140</b>	<b>2.73</b>	" "
40	<b>1.25/4.7</b>	<b>2065/2100</b>	<b>2.71</b>	" "
50	<b>0.75/2.8</b>	<b>2040/2070</b>	<b>2.45</b>	" "

-SPECIFICATIONS SUBJECT TO CHANGE WITHOUT NOTICE.  
 -ALL DATA BASED ON TESTING WITH WATER.