

# BOXER-80/81



STANDARD: II 3/3G D IIB T 135°C [zona 2]  
 CONDUCT: II 2/2GD c IIB T 135°C [zona 1]

## CARACTERISTICAS TECNICAS technical characteristics



BOXER 81 PP



BOXER 81 PVDF



BOXER 81 ALU



BOXER 80 Aisi 316

Empalmes aspiración/impulsión Instake/delivery connections	G 1" f (standard)
---	-------------------

Empalme aire Air connection	G 1/2" f
--------------------------------	----------

Capacidad de aspiración en seco max Max self-priming capacity	6 m
--	-----

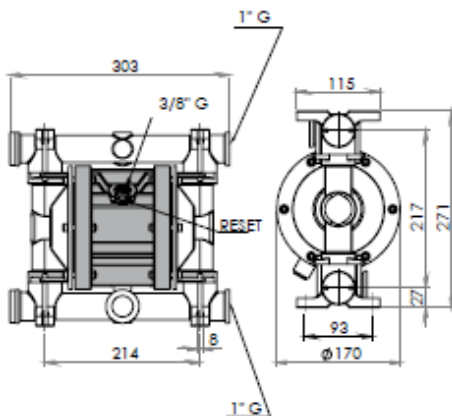
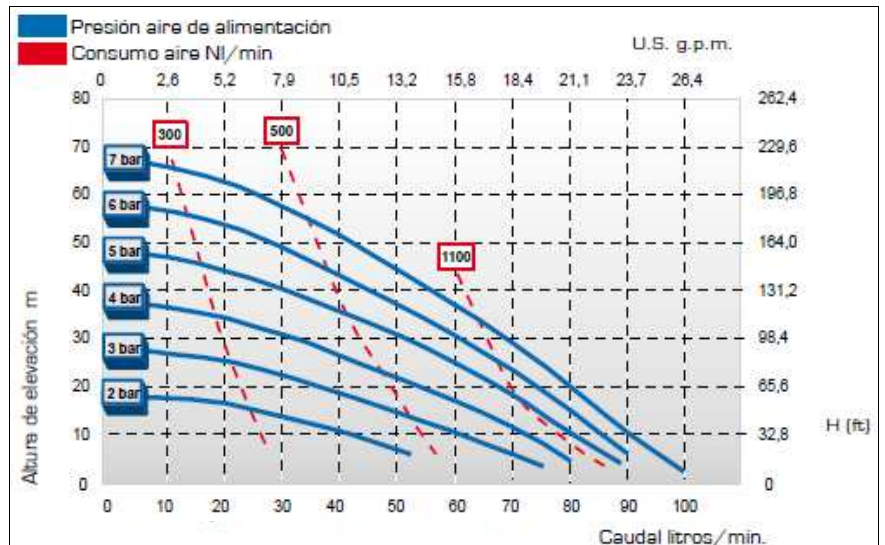
Caudal max Max flow rate	100 l/min
-----------------------------	-----------

Altura de elevación máx. Max head	70 m
--------------------------------------	------

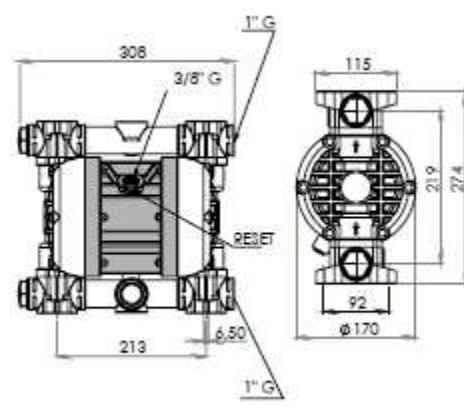
Presión aire alimentación max Max air supply pressure	7 bar
--	-------

Ø max paso de sólidos Ø max od passing solids	4 mm
--	------

Material	Peso Weight	Temp. Max de servicio Max service temperature
ALU	5 kg	95 °C
PP	6,5 kg	60 °C
PVDF	6,5 kg	95 °C
Aisi-316	10,5 kg	95 °C



Boxer-80



Boxer-81